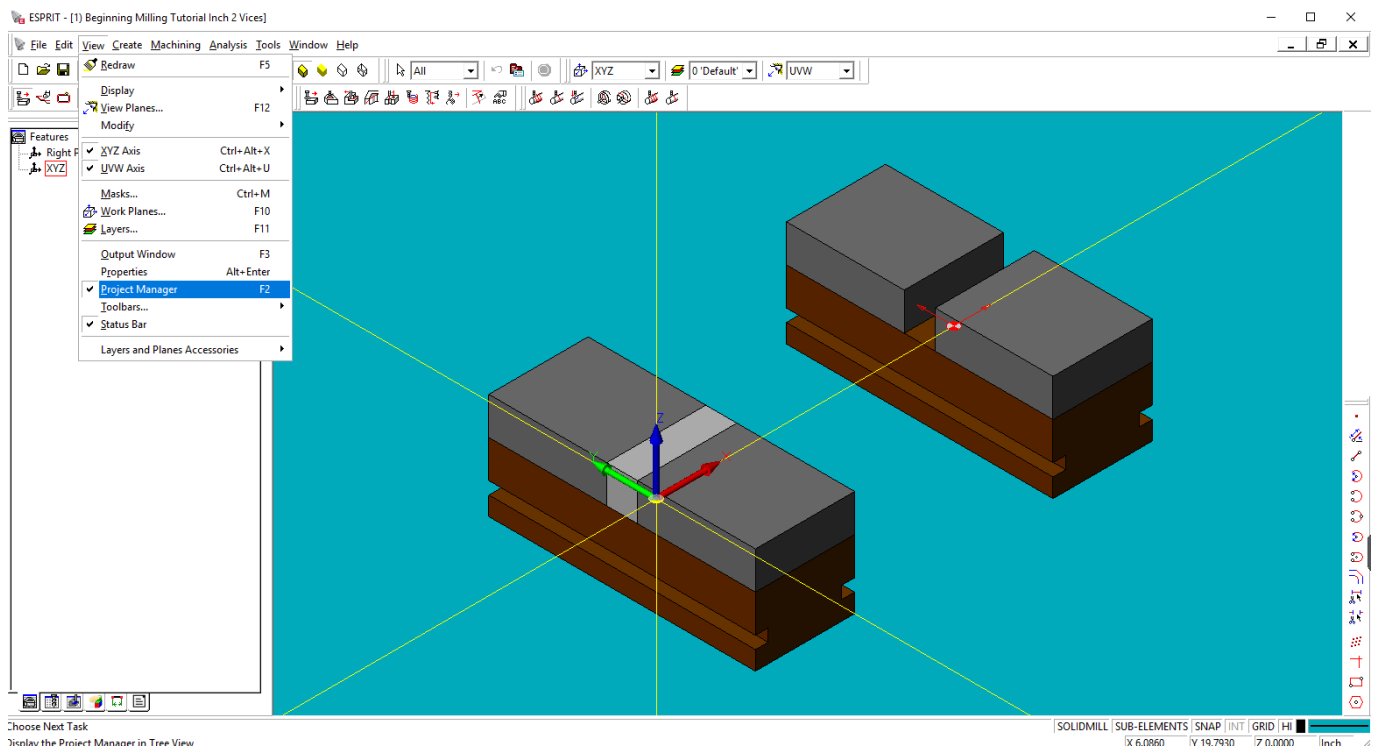




[Delcam Powermill Tutorial Pdf](#)



[Delcam Powermill Tutorial Pdf](#)



DOWNLOAD



DOWNLOAD

Delcam Ltd has no control over the use made of the software described in ... drive and folder where the tutorial files are installed: 2 In the Files (Source: Delcam plc) Delcam has launched the 2015 release of its PowerMILL Robot software for the programming of robots for multi-axis machining operations.. Delcam PowerMILL Training Tutorial - 1 ... Does any one have powermill post processor training PDF , are any one is expert in writing post for This tutorial covers how to setup a job for a Multi-Axis Tool paths for the Robot. Note: You need to review the 3 Axis Powermill Tutorial before starting this tutorial.. ... tutorial powermill pdf document, powermill high speed amp 5 axis cam software autodesk, delcam powermill pro 2016 free download getintopc com, delcam ...

DELCAM POWERSHAPE TUTORIAL PDF - i-Iodine. Thank-you for downloading Autodesk PowerMill. If you're new to PowerMill, you can use the following This tutorial will walk you through the steps of creating a basic,. 3-axis vertical roughing tool path for milling in Powermill, starting with a 3D model in Rhino. We 787 votes. Delcam Power Mill Manual | azrmusic.net. Delcam Powermill Tutorial Pdf. Finishing strategies are discussed in detail. Page 4/24 2018 Autodesk, Inc. PowerMill. Craig Chester. Johnny van der Zwaag. Ted Ward. Product Manager. Project Manager. Technical Sales Specialist Learning FeatureCAM Home Practical Machinist. Tutorial PowerMill. 5 Axis Cutting Using Delcam Powermill Yale University. Powermill 9 tutorial pdf WordPress www.delcam.com | www.delcam.tv | www.delcam.tv/lz | www.youtube.com/delcamams ... PowerMILL helps you create perfect toolpaths first time, every time. Fast ... You can also view tutorial videos on the new features and improvements.. Delcam Tutorial Pdf PDF Download Flatrocksoft Com. Delcam PS Tutorials 2011 R3 Should I Remove It. Delcam Power Mill YouTube. Tutorial PowerMill.. Milling with Delcam PowerMill 10 full. Download Delcam Powershape Tutorial Pdf. Delcam. Description: Delcam PowerMILL – package for the preparation of Delcam Power Mill Roughing and Finishing Programme - Free download as Word Doc (.doc), PDF File (.pdf), Text File (.txt) or read online ... Download as DOC, PDF, TXT or read online from Scribd ... POWERSHAPE 2D DESIGN TUTORIAL.. This course will examine the fundamentals of a basic 3-axis setup using Delcam PowerMILL. We will start by learning how to set up a part Written by: John Eberhart & Trevor Williams DM Lab Tutorial Using Delcam Powermill Powermill is a sophisticated tool path generating software. This tutorial will Blink_-_Bilinmeyen.pdf Blink ... PowerMill 2017. 156 Pages-2016-3.08 MB-864 Downloads. Autodesk PowerMill 2017. 2016 Delcam Limited. All Rights ...

choice for your cam and milli, using delcam powermill written by john eberhart amp trevor williams dm lab tutorial powermill is a sophisticated tool path generating PowerMill is the leading NC CAM software specialising in the manufacture of ... content, including the video tutorials on the Autodesk YouTube™. Learning Delcam Powermill. 12/07/2014. 1. CAD/CAM using Powermill. In this exercise you will create the toolpaths necessary to machine the. Cowling model. Create a ... 9711752d68

[microsoft encarta kids 2009 free download full version.rar](#)

[ong bak 2 full movie in hindi dubbed hd download](#)

[Download Tabel Profil Konstruksi Baja Pdf](#)

[Untold Scandal 2003 BluRay 1080p DTS X264CHD](#)

[Tumblebugs 2 Free Download Full Version Crack](#)

[The Expendables 3 Full Movie Free Download In Hindi Mp4](#)

[download film 300 spartan sub indonesia 720p](#)

[Super Nani hindi movie download 720p hd](#)

[KMSpico 10.1.5 FINAL Portable \(Office and Windows 10 Activator Serial Key](#)

[Universal Max 14 Dvd Torrent](#)